

PXF Series

Temperature Controllers

Exceeding Your Expectations...

- ✓ High Speed and High Accuracy
- ✓ Multi-Drop Master Function
- ✓ Universal Input



PXF series is a winner of the Good Design Award 2017 organized by the Japan Institute of Design Promotion.

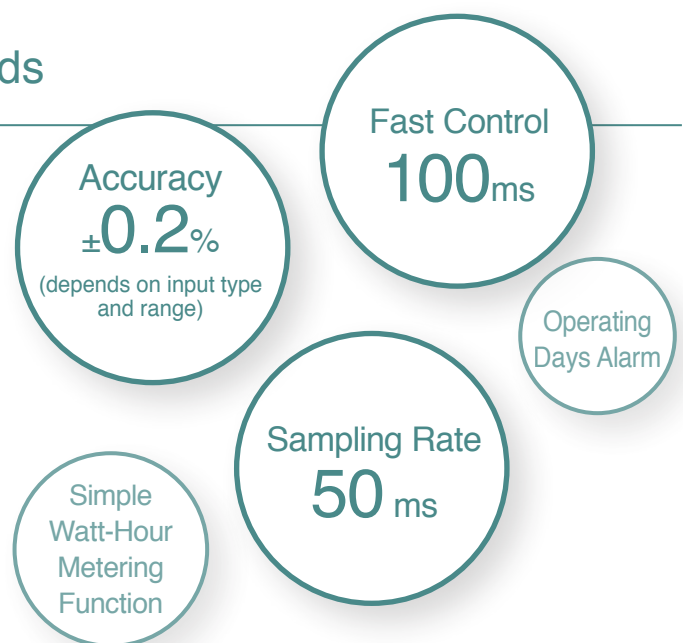
Superior Versatility and Flexibility for a Wide Range of Applications



Multi-Functional to Suit Your Needs

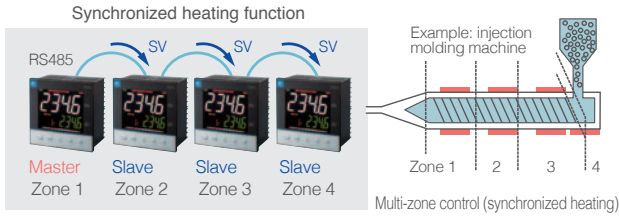
In addition to 9 types of temperature control functions including on-off control, heating/cooling control, and 2-degrees-of-freedom PID, useful functions such as multi-drop control using RS-485 network and simple watt-hour monitoring are available. All these features make PXF practical for any applications.

See Pages 4-5 for control features and Pages 6-7 for functions.

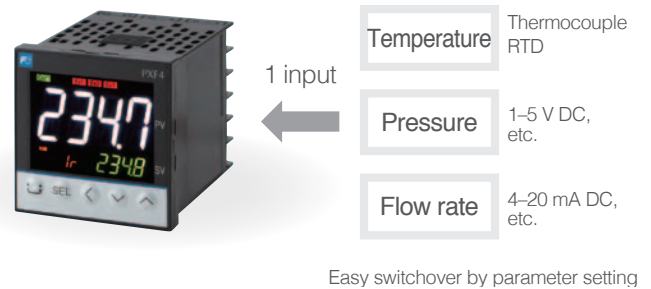


RS-485 Communication (option)

SV can be transmitted to multi-PXFs through communication. Synchronous temperature-rise control is available in combination with 2-degrees-of-freedom PID.



Universal Input



Tallest PV Characters in the Industry

Bright and clear white PV display for optimal viewing



Compact Design

With only 58-mm depth, compact enough to be installed on small equipment



Size Selection

3 different sizes, with a depth of 58 mm



Parameter Setting Available on PC

Parameter loader software is download free from our website. Optional USB cable enables PXF to be connected to and powered from PC.



DIN-rail mountable socket type

Easy wiring and replacement



PXF4 Socket type
48×48×85.7 mm

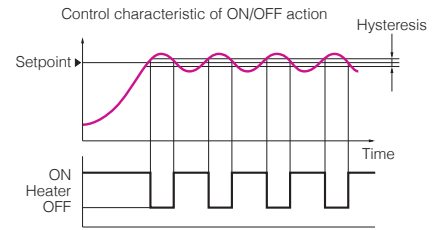
Advanced Control Functions

Parameter setting is available using the front keys or a PC with Fuji Electric's loader software.

Standard Functions

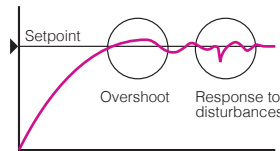
1 On/off Control Simple and Basic Control

When process value (PV) is below the set value (SV), PXF turns on the output to energize the heater, and vice versa. In this way, PXF keeps the temperature constant by turning the output on and off based on the SV as a threshold.



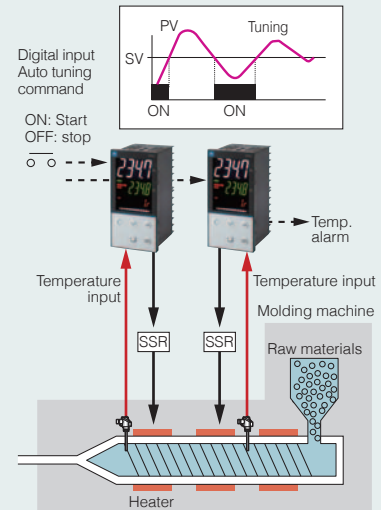
2 PID Control with Auto Tuning Typical Control Based on PID Theory

* Overshoot may occur due to external disturbance.



Molding Machine

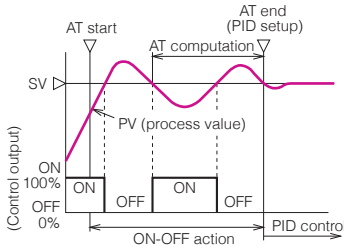
Start/stop of auto tuning can be commanded externally.



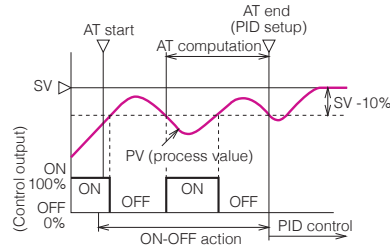
PID Auto Tuning

The controller calculates optimal PID parameters. PXF has 2 types of auto-tuning functions; the standard type (auto-tuning with SV used as reference) and the low SV type (auto-tuning with the value 10% below SV used as reference).

Standard type

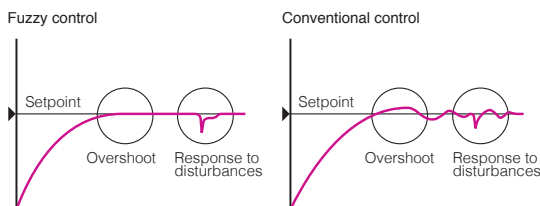


Low-PV type



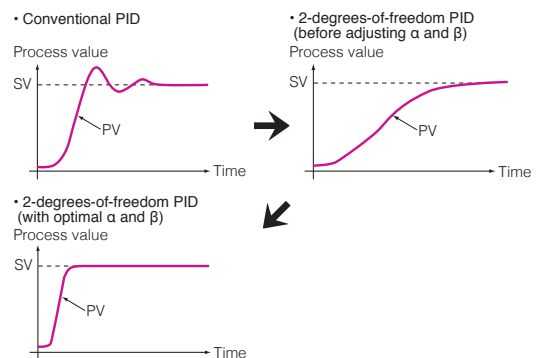
3 Fuzzy Control with Auto Tuning Suppresses Overshoot by Fuzzy Calculation

By monitoring PV, PXF suppresses overshoot without lengthening startup time. At the same time, it can quickly deal with external disturbances.



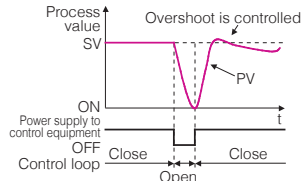
4 2-Degree-of-Freedom PID with Auto Tuning Combined Method for Stable Control

Suppresses overshoot and undershoot occurs at startup or at SV change, or by external disturbances.



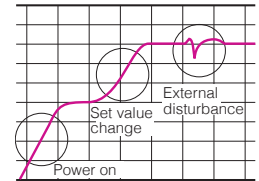
5 Open-Loop Supported PID2 Control Suppresses Overshoot

Reduces overshoot in the processes where the controlled equipment is power cycled.



6 Self Tuning Control Auto-Tuned PID for Changing Temperature

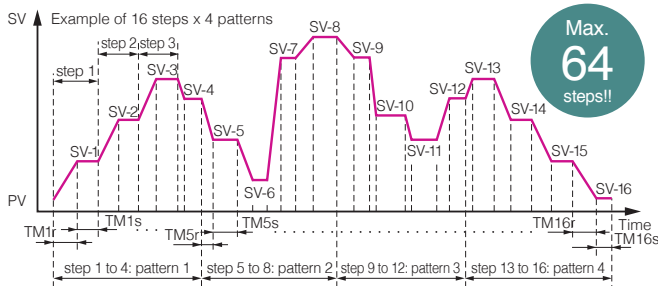
At power up, SV change, or during external disturbance, tuning is made automatically so that the PID parameters are re-optimized.



*For some objects of control, PID values cannot be optimized.

7 Simple Program Control (Ramp Soak Function) Up to 64 Steps

PXF automatically changes SV to the preset values at preset times. You can set up to 64 steps and 15 types of operation patterns. For example, when you bake four kinds of bread, you can divide 64 steps into four patterns to set suitable temperature for each bread.



- Basic functions
 - [h · min] or [min · s]
 - Guarantee soak
 - Repeat action
 - PV start
 - Delay start
 - Power restoring function

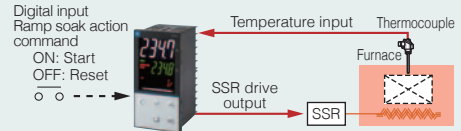
- Operation

You can start/stop/suspend the operation using a user key, parameter setting, digital input, or communication.

- Number of steps and patterns

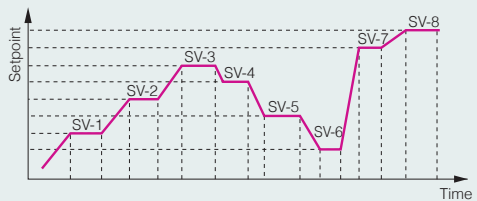
Steps	Patterns
64	1
32	2
16	4
8	8

Controlling Temperature Gradient of Furnace by heating patterns



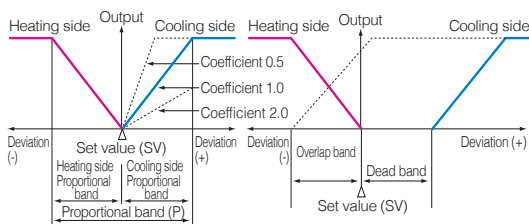
Ramp Soak Function

Temperature rise/fall pattern is controlled by setting a heat pattern having a gradient. You can externally start or reset the pattern.



Optional Functions

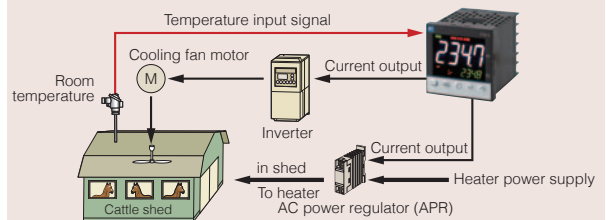
1 Heating and Cooling Control with Dual Output



* For the cooling side proportional band, set a coefficient with respect to the heating side proportional band. (Works as on-off control if coefficient is zero.)

Energy Savings in Livestock Barns

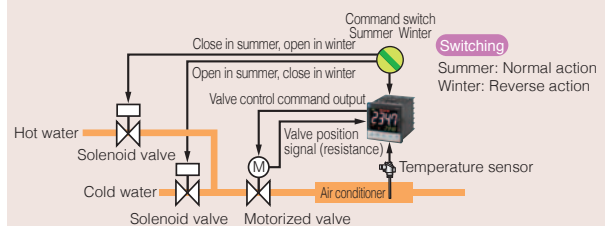
Both heating and cooling are controlled with one temperature controller using its two control outputs. Power consumption can be curbed by controlling a cooling fan motor with inverter.



2 Motorized Valve Control Valve Opening/Closing is Available

- Position feedback control based on motorized valve position signal
- Servo control without valve position signal

Heating/Cooling Control of Air Conditioner



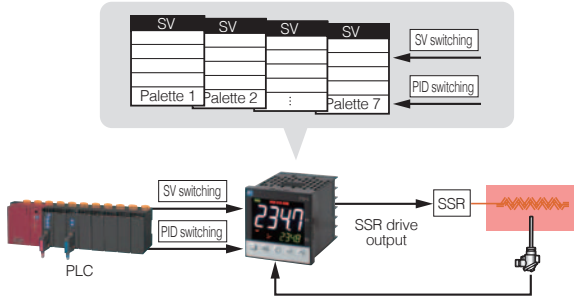
Variety of Functions

Expanding the Uses of Temperature Controllers and Improve the User Experience

Standard Functions

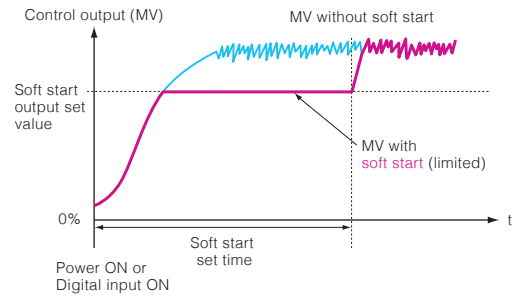
1 SV and PID selection Easy Switching Among 8 Presets

This enables optimum PID setting for changing process, materials, or PV. You can perform SV selection only, PID selection only, or PID selection according to PV.



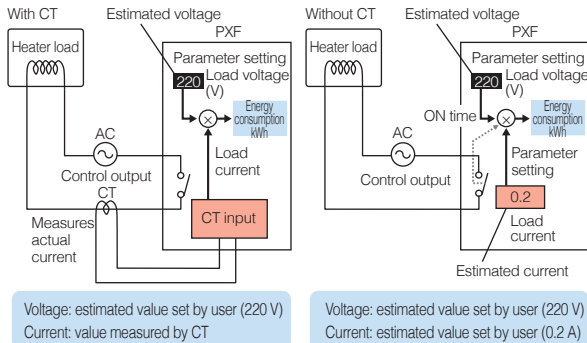
2 Soft Start Saves Energy at Startup

Prevents the output being maximum when turning on the equipment (including the temperature controller). This is useful for suppressing the load at equipment startup.



3 Simple Watt-Hour Metering Function Tells You the Energy Consumption

If you use an optional current transformer (See page 10). Approximate monitoring is also available without CT.



4 Operating Days Alarm For Well-Timed Maintenance

Indicator or alarm output alert you when the number of days operated has reached the limit you set.

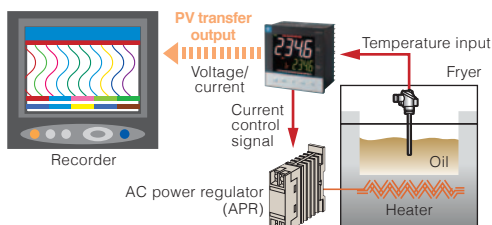


Optional Functions

1 Re-transmission Output Temperature Signals to External Devices

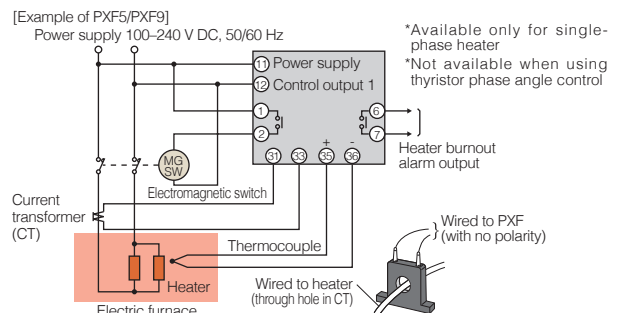
Cost savings achieved by eliminating the need for an extra temperature sensor

- Output signal : 0–20 mA DC, 4–20 mA DC, 0–5 V DC, 1–5 V DC, 0–10 V DC, or 2–10 V DC
- Process value (PV), set value (SV), control output (MV), or PV-SV (DV)



2 Heater Burnout Alarm Quickly Informs You a Failure

- A current transformer (CT) is required.
- The alarm action point must be configured beforehand.

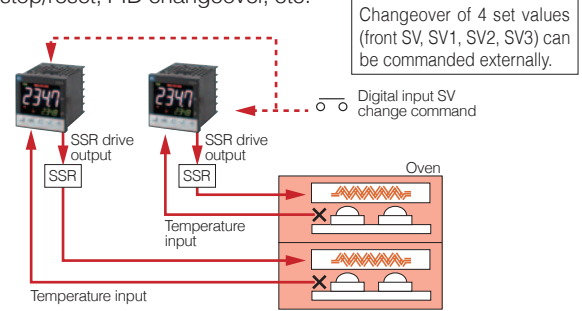


3 Alarm Output Up to 5 Alarms (PXF4: up to 3)

	Alarm type	Action diagram
Absolute value alarm	Upper limit absolute value	
	Lower limit absolute value	
	Upper limit absolute value (with hold)	
	Lower limit absolute value (with hold)	
Deviation alarm	Upper limit deviation	
	Lower limit deviation	
	Upper and lower limits deviation	
	Upper limit deviation (with hold)	
	Lower limit deviation (with hold)	
	Upper and lower limits deviation (with hold)	
Range alarm	Range upper and lower limits deviation (ALM1/2 independent operation)	
	Range upper and lower limits absolute value	
	Range upper and lower limits deviation	
	Range upper limit absolute value and lower limit deviation	
	Range upper limit deviation and lower limit absolute value	

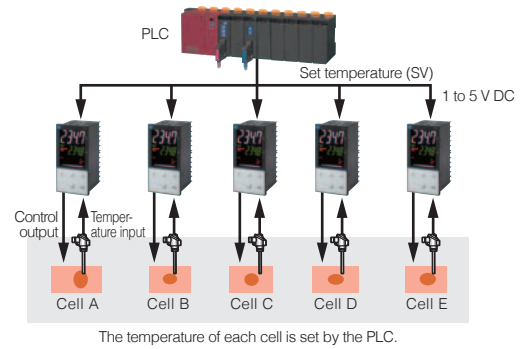
4 Digital Input SV Can be Switched Externally

SV change, AT start, timer startup, program selection, start/stop/reset, PID changeover, etc.



5 Remote SV Input SV Can be Configured Externally

- Input signal: 0-5 V DC, 1-5 V DC, 0-10 V DC, 0-20 mA DC, or 4-20 mA DC
- Input impedance: About 1 MΩ



6 RS-485 Communication

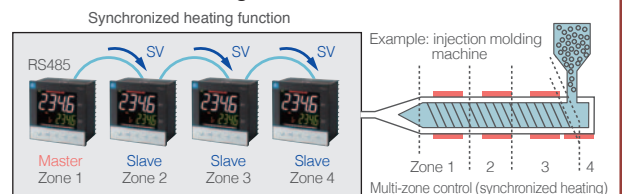
- User address mapping function
Users can create a list of necessary parameters (max. 32 words) for quick data acquisition on that data set.
Communication speed: max. 115.2 kbps

Address	Parameter
30001	PV
30002	SV(Read)
30003	DV
30004	MV1
⋮	⋮
40003	SV(Write)
40004	STBY
40005	AT
40006	P
40007	I
40008	D
⋮	⋮

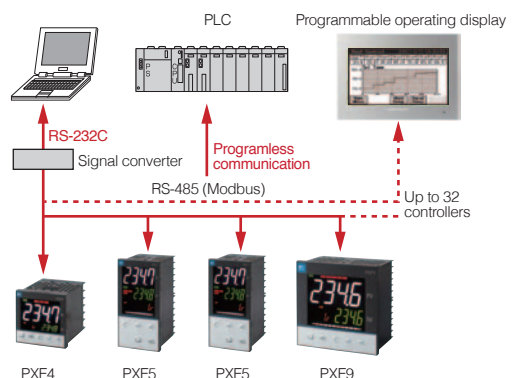
Max. 32 words

Address	Parameter
30001	PV
30002	SV(Read)
40003	SV(Write)
30004	MV1
40006	P
40007	I
40008	D
⋮	⋮
-	-
-	-
-	-





- Multidrop master function
Synchronous temperature-rise control is available in combination with 2-degrees-of-freedom PID.



- Parameter copy function
Parameter values can be copied to multiple PXFs simultaneously.
- Communication with PC, programmable operation display, or PLC



Product Lineup

Model	PXF4	PXF5	PXF9	PXF4 Socket
Appearance				
Front panel size (W x H)	48 x 48 mm	48 x 96 mm	96 x 96 mm	48x48mm
Depth	58 mm			85.7mm
Display digits	4-digit (PV and SV)			
Character height (PV)	15.3 mm	18.1 mm	26 mm	15.3mm
Indication accuracy	Thermocouple input: $\pm 0.3\% \pm 1$ digit of indicated value or $\pm 1^\circ\text{C} \pm 1$ digit, whichever is larger RTD input: $\pm 0.2\%$ of indication value ± 1 digit or $\pm 0.8^\circ\text{C} \pm 1$ digit, whichever is larger Voltage input and current input: $\pm 0.3\% \text{FS} \pm 1$ digit			Thermocouple input: $\pm 0.5\% \text{FS} \pm 1$ digit $\pm 1^\circ\text{C}$ RTD input: $\pm 0.8^\circ\text{C} \pm 1$ digit or $\pm 0.2\% \pm 1$ digit of indicated value, whichever is larger Voltage input, current input: $\pm 0.3\% \text{FS} \pm 1$ digit
Sampling rate	50 ms			
Input signal	Process value input	Universal input (RTD, thermocouple, voltage/current)		
	Remote SV input *1	Voltage/current		—
	Current transformer (CT) input *1	Dedicated CT (1 to 100 A)		—
	Motorized valve position input *1	-	100 Ω to 2.5k Ω (3-wire)	—
	Digital input (DI) *1	1 (Motorized valve control version: up to 3)	Up to 3	
Output signal	Control output	Relay contact	●	●
		SSR drive output	●	●
		Current output (linear)	●	●
		Voltage output (linear)	●	—
		Motorized valve control output *1	●	—
		Analog re-transmission output (voltage) *1	●	—
		Analog re-transmission output (current) *1	●	—
		Heater burnout alarm output *1	●	—
		Operating days alarm *1	●	—
		Alarm/event contact output (DO) *1	Up to 3	Up to 5
Control method (*2 with auto tuning)	ON/OFF control	●	●	
	PID control *2	●	●	
	Fuzzy control *2	●	●	
	2-degrees-of-freedom PID control *2	●	—	
	Open-loop supported PID2 control	●	●	
	Self tuning	●	●	
	Ramp soak function (simple program control)	Up to 64 steps	Up to 8 steps	
	Heating/cooling control *1, *2	●	—	
	Motorized valve control *1	●	—	
Functions	Number of PV/PID patterns	Up to 8		
	SV/PID switchover	●	—	
	Soft start	●	—	
	Simple watt-hour metering	●	—	
	Operating days	●	—	
	Manual operation	●	●	
	User key	●	●	
Communication	Loader interface	●	●	
	RS-485 (Modbus) *1	●	—	
Power supply voltage	100–240 V AC, 50/60 Hz	●	●	
	24 V DC/AC *1	●	●	
Power consumption	10 VA MAX.	13 VA MAX.	13 VA MAX.	10 VA MAX.
Screw terminals	M3			Socket

*1: Option Some functions are unavailable depending on the model. For more detail, please refer to the specifications on Page 9 and 16.

*2: With auto tuning

Ordering Code

4 5 6 7 8 9 10 11 12 13
P X F A 2 - 0 0

PXF4 (48 x 48 mm) Standard Type

Digit	Specifications	Code
1-4	Front panel size W x H 48 x 48 mm	PXF4
5	—	A
6	Control output 1	
	Relay contact (SPST) *1	A
	Relay contact (SPDT) *1	B
	SSR drive output	C
	Current output	E
7	Control output 2	
	None	Y
	Relay contact (SPST)	A
	SSR drive output	C
	Current output	E
8	Revision code	2
	Alarm output	
	None	0
	1 point	1
	2 points	F
9	3 points	M
	2 points (independent common)	J
	Power supply voltage/instruction manual	
	100 to 240 V AC, Japanese & English	Y
	100 to 240 V AC, English	V
10	100 to 240 V AC, Chinese & English	W
	24 V AC/DC, Japanese & English	A
	24 V AC/DC, English	B
	24 V AC/DC, Chinese & English	D
	Option	
11	None	1
	RS-485 Communication	M
	Digital input (DI1)	S
	RS-485 communication + Digital input (DI1)	V
	RS-485 communication + Remote SV input *2	K
12	RS-485 Communication + CT input *3	J
	—	00
13	—	00

*1: Not available for the 7th code "C", "E", "P", "R", "S". However, if you want to order the 6th code "A" (SPST relay contact for the control output 1) and the 7th code "R" or "S" (current/voltage re-transmission output for the control output 2), specify the model as follows:

PXF4AA A R S 2 0 0

*2: When using current for the remote SV input, add a 250-ohm resistor to the input terminal.

*3: When using the CT input for heater burnout alarm, add one alarm output for it in the 9th code.

PXF5 (48 x 48 mm) & PXF9 (96 x 96 mm) Standard Type

Digit	Specification	Code
1-4	Front panel size W x H 48 x 96 mm 96 x 96 mm	PXF5 PXF9
5	—	A
6	Control output 1	
	Relay contact (SPST)	A
	Relay contact (SPDT)	B
	SSR drive output	C
	Current output	E
7	Control output 2	
	None	Y
	Relay contact (SPST)	A
	SSR drive output	C
	Current output	E
8	Revision code	2
	Alarm output	
	None	0
	1 point	1
	2 points	F
9	3 points	M
	2 points (independent common)	J
	Power supply voltage/instruction manual	
	100 to 240 V AC, Japanese & English	Y
	100 to 240 V AC, English	V
10	100 to 240 V AC, Chinese & English	W
	24 V AC/DC, Japanese & English	A
	24 V AC/DC, English	B
	24 V AC/DC, Chinese & English	D
	Option	
11	None	1
	RS-485 Communication	M
	Digital input (DI 1 and DI2)	T
	Remote SV input + Digital input (DI3) *1	H
	CT input + Digital input (DI1) *2	G
12	RS-485 communication + Digital input (DI1)	V
	RS-485 + Digital input (DI3, DI4, DI5) + Auxiliary alarm output (AL4, AL5)	C
	—	00
13	—	00

*1: When using current for the remote SV input, add a 250-ohm resistor to the input terminal.

*2: When using the CT input for heater burnout alarm, add one alarm output for it in the 9th code.

PXF4 (48 x 48 mm) Motorized Valve Control Type

Digit	Specifications	Code
1-4	Front panel size W x H 48 x 48 mm	PXF4
5	—	A
6	Control output 1	
	Motorized valve control output (without PFB input)	T
7	Control output 2	
	None	Y
8	Revision code	2
	Alarm output	
9	None	0
	1 point	1
	2 points	F
	2 points (independent common)	J
	Power supply voltage/instruction manual	
10	100 to 240 V AC, Japanese & English	Y
	100 to 240 V AC, English	V
	100 to 240 V AC, Chinese & English	W
	24 V AC/DC, Japanese & English	A
11	24 V AC/DC, English	B
	24 V AC/DC, Chinese & English	D
12	Option	
	None	1
	Digital input (DI 1, 2, 3)	D
13	RS-485 communication + Digital input (DI1)	V
	—	00

PXF4 (48 x 48 mm) Optional items

Name	Model
Current transformer	1 A to 30 A 20 to 100 A ZOZ*CCCTL-6-S-H ZOZ*CCCTL-12-S36-8
Terminal cover	ZZPPXR1-A230
Parameter loader interface cable	ZZP*TQ501923C3
Shunt resistor (250 Ω±0.1%)	ZZPPXR1-A190
Panel mounting adapter for replacement from PXR7 to PXF4	ZZP*TQ502732C1

PXF5 (48 x 96 mm) & PXF9 (96 x 96 mm) Motorized Valve Control Type

Digit	Specifications	Code
1-4	Front panel size W x H 48 x 96 mm 96 x 96 mm	PXF5 PXF9
5	—	A
6	Control output 1	
	Motorized valve control output (without PFB input)	S
7	Control output 2	
	Motorized valve control output (with PFB input)	V
8	Control output 2	
	None	Y
9	Revision code	2
	Alarm output	
10	None	0
	1 point	1
	2 points	F
	3 points	M
	2 points (independent common)	J
11	Power supply voltage/instruction manual	
	100 to 240 V AC, Japanese & English	Y
	100 to 240 V AC, English	V
	100 to 240 V AC, Chinese & English	W
	24 V AC/DC, Japanese & English	A
12	24 V AC/DC, English	B
	24 V AC/DC, Chinese & English	D
13	Option	
	None	1
14	RS-485 communication + Digital input (DI1, DI2, DI3)	U
	—	00

PXF5 (48 x 96 mm) & PXF9 (96 x 96 mm) Optional items

Name	Model
Current transformer	1 A to 30 A 20 to 100 A ZOZ*CCCTL-6-S-H ZOZ*CCCTL-12-S36-8
Terminal cover *1	ZZPPXF1-B100
Parameter loader interface cable	ZZP*TQ501923C3
Shunt resistor (250 Ω±0.1%)	ZZPPXR1-A190

*1: For PXF9, two covers are necessary for one unit.

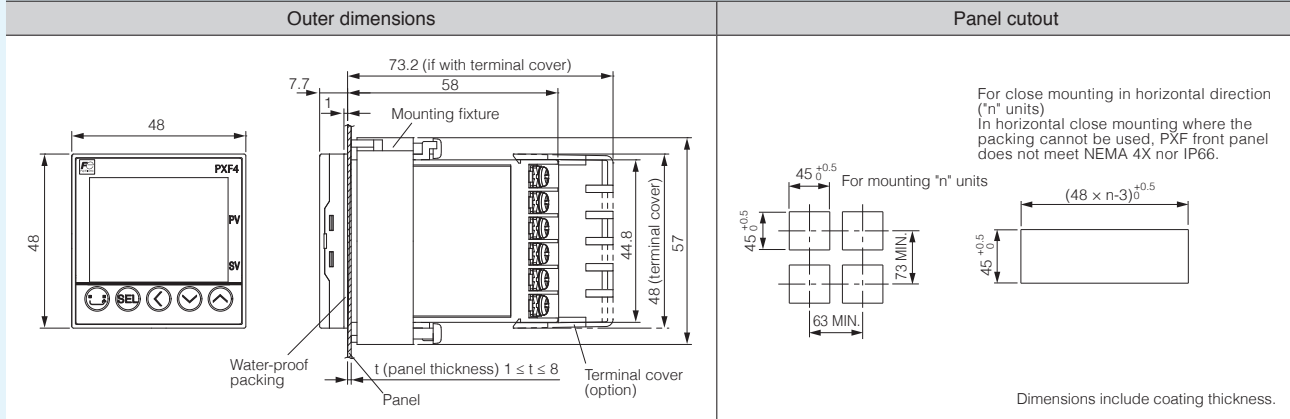
Scope of delivery

- Controller × 1
- Water-proof packing × 1
- Panel mounting adapter × 1 set
- Instruction manual × 1

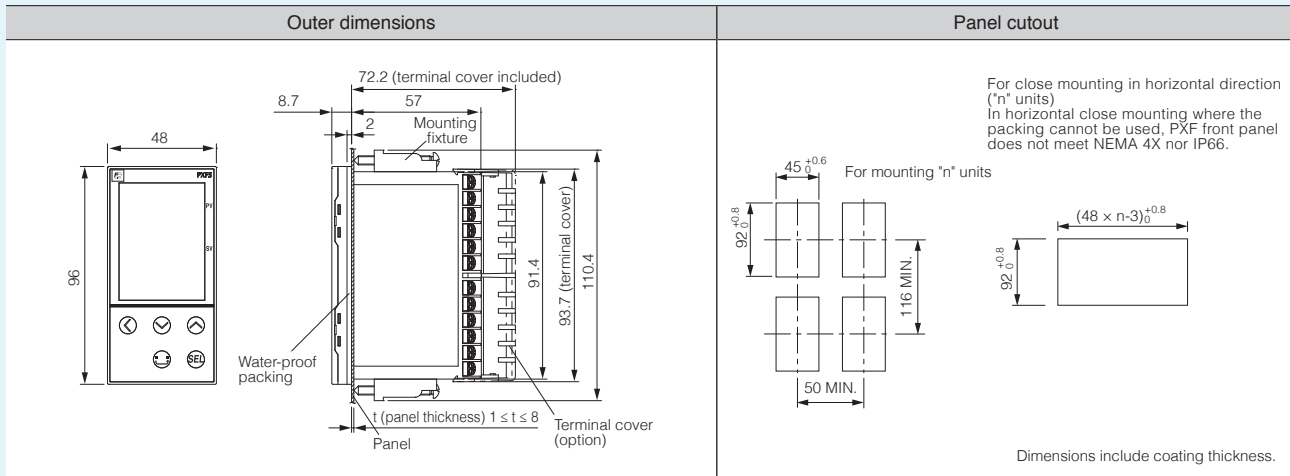
Outline Diagram

PXF4

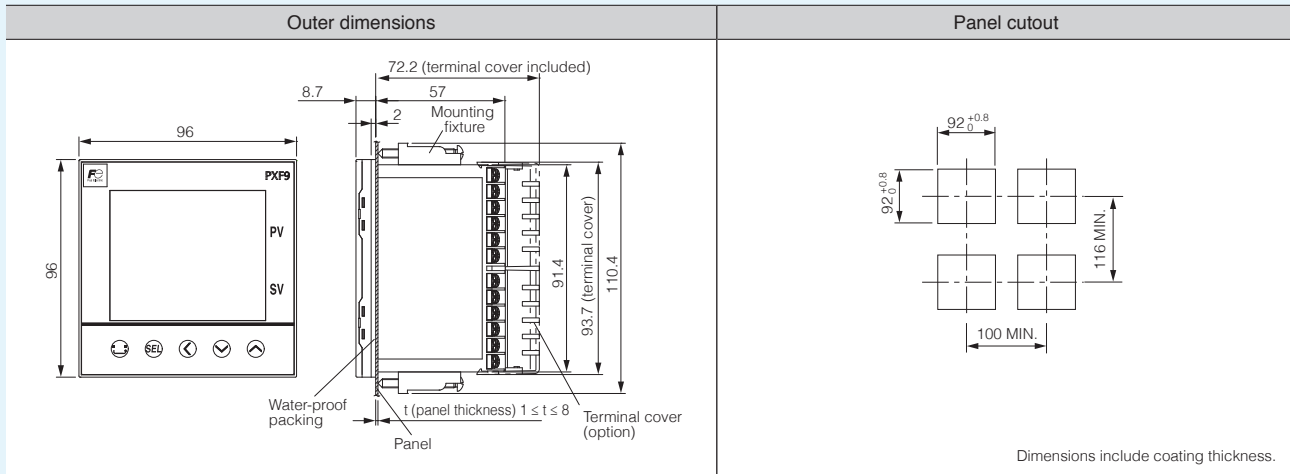
(Unit : mm)



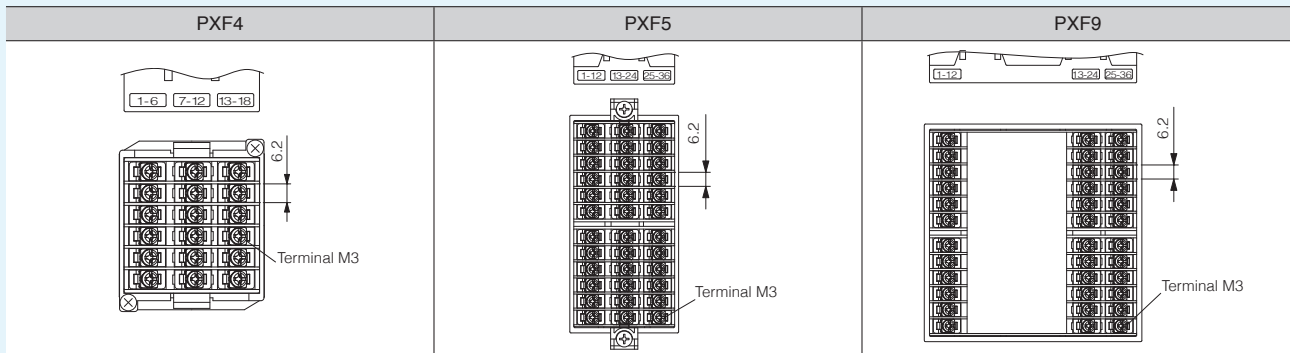
PXF5



PXF9



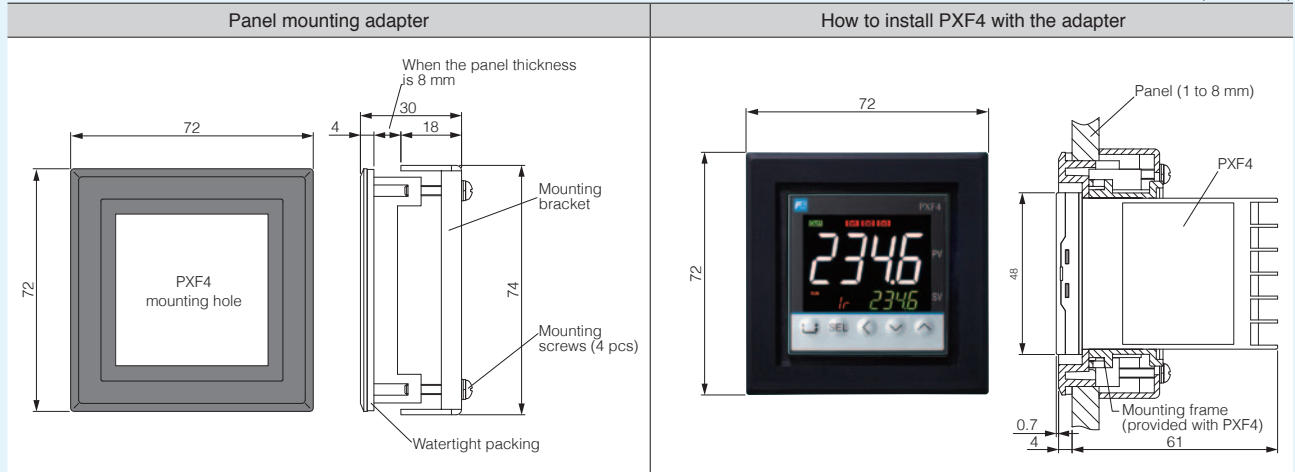
Rear view



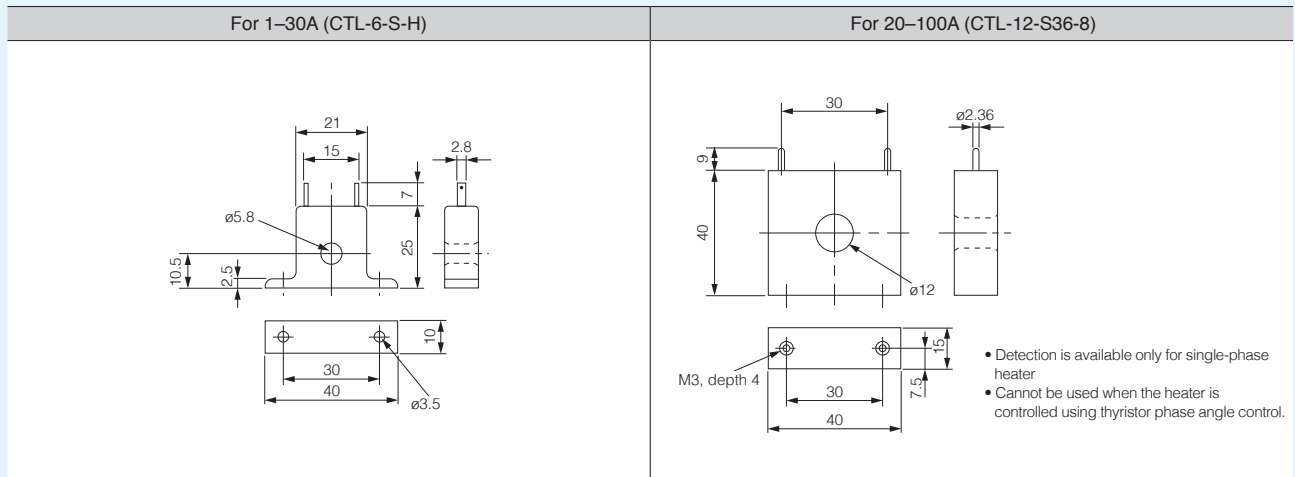
Outline Diagram of Optional Items

Panel mounting adapter for replacement from PXR7 to PXF4 (ZZP*TQ502732C1)

(Unit : mm)

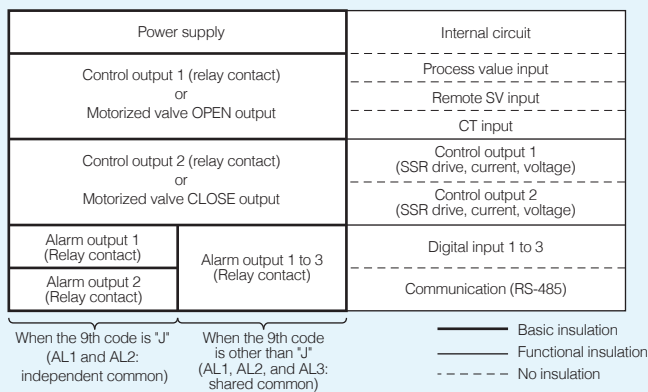


Current transformer (CT)

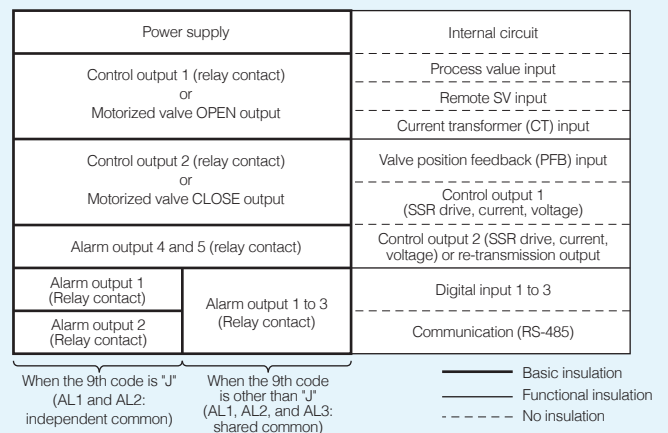


Insulation Block Diagram

PXF4



PXF5 and PXF9

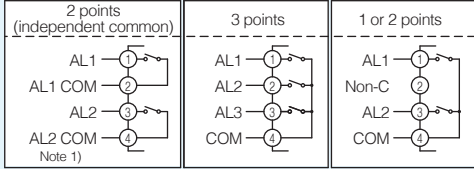


Connection Diagram

Standard type (base model: PXF4)

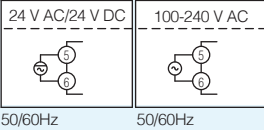
Control output 1	Relay output (SPST)	Relay output (SPDT)	SSR	Current	Voltage	Relay output (SPST)	Relay output (SPDT)	SSR	Current	Voltage
Control output 2	None	None	None	None	None	Relay output (SPST)	Relay output (SPDT)	Relay output (SPST)	Relay output (SPST)	Relay output (SPST)
Control output 1	SSR	Current	Voltage	SSR	Current	Voltage	SSR	Current	Voltage	
Control output 2	SSR	SSR	SSR	Current or re-transmission output (current)	Current or re-transmission output (current)	Current or re-transmission output (current)	Voltage or re-transmission output (voltage)	Voltage or re-transmission output (voltage)	Voltage or re-transmission output (voltage)	

Alarm output

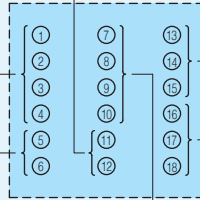


Note 1: Power supplies for AL1 and AL2 must be of the same type, either AC or DC.

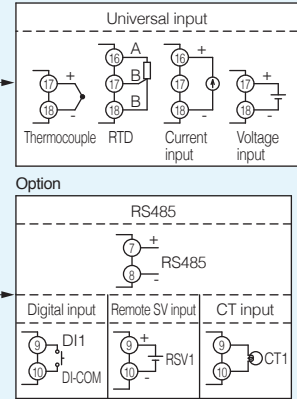
Power supply



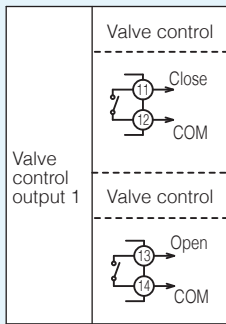
M3 terminals



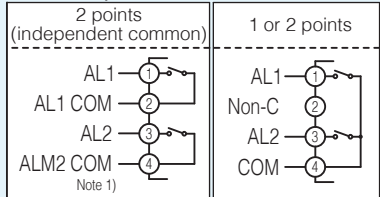
Process value input



Motorized valve control type (base model: PXF4)

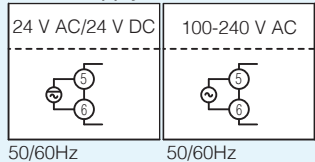


Alarm output

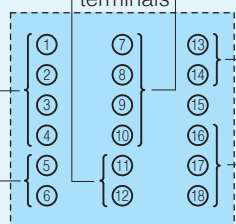


Note 1: Power supplies for AL1 and AL2 must be of the same type, either AC or DC.

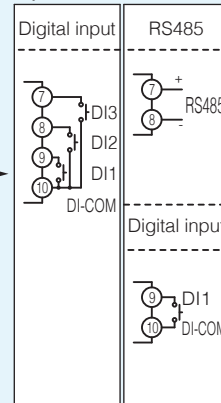
Power supply



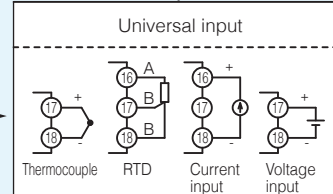
M3 terminals



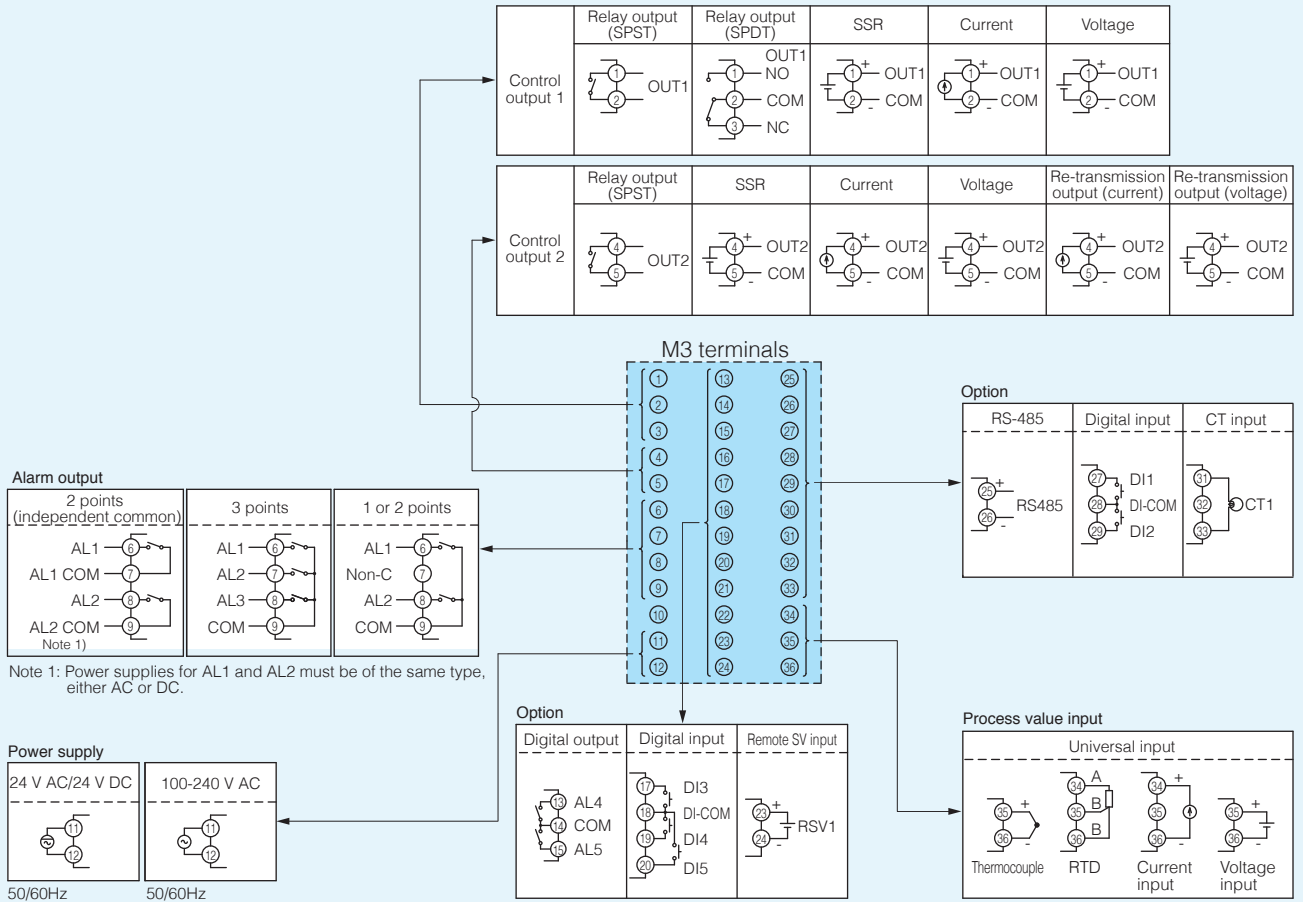
Option



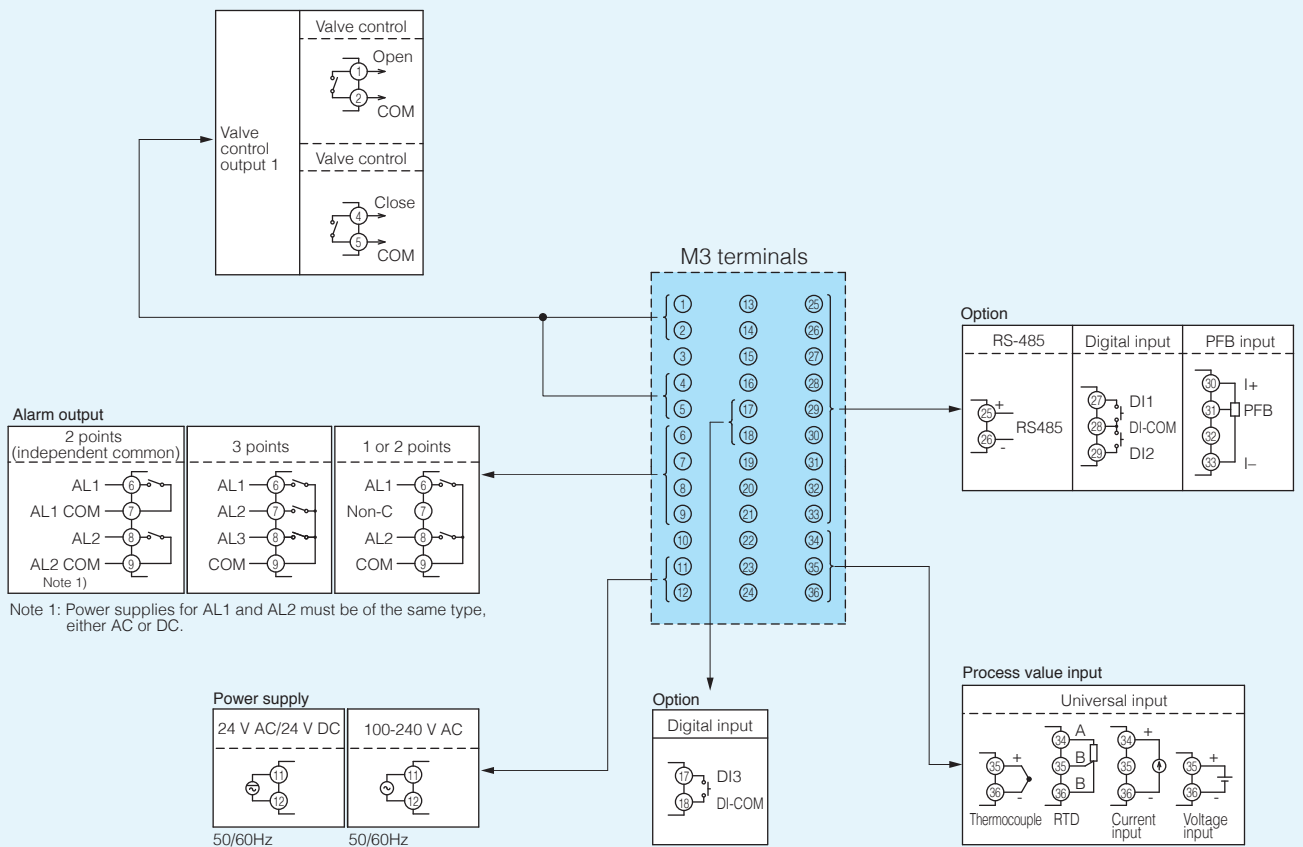
Process value input



Standard type (base model: PXF5, PXF9)



Motorized valve control type (base model: PXF5, PXF9)



Specifications

General specifications

Power supply voltage	100 V (-15%) to 240 V (+10%) AC, 50/60 Hz, 24 V AC/DC (±10%)		
Power consumption	Model	100 to 240 V AC	24 V DC/AC
	PXF4	10 VA MAX.	5 VA MAX.
	PXF5 & PXF9	13 VA MAX.	8 VA MAX.
Insulation resistance	20 MΩ or more (at 500 V DC)		
Withstand voltage	Power source ↔ all terminals: 1500 V AC for 1 min Relay contact output ↔ all terminals: 1500 V AC for 1 min Between others: 500 V AC for 1 min		

Process value input

Number of inputs	1
Input setting	Programmable scale
Input signal	See Table 1 on Page 15. (Universal input: thermocouple/RTD/voltage/current)
Standard measurement range and input type	See Table 1 on Page 15.
Indication accuracy (at Ta = 23°C)	<ul style="list-style-type: none"> Thermocouple input: either ±1°C ±1 digit or ±0.3% of indicated value ±1 digit, whichever is larger *except: Thermocouple B: 0 to 400°C: no accuracy assurance Thermocouple R: 0 to 500°C: ±3°C ±1 digit Thermocouples of which measuring range is between -200°C and -100°C: ±2°C ±1 digit RTD input: ±0.8°C ±1 digit or ±0.2% of indication value ±1 digit, whichever is larger mV input, voltage input, current input: ±0.3%FS ±1 digit
Temperature effect on sensitivity	±0.3%FS/10°C
Indication resolution	See Table 1 on Page 15.
Sampling rate	50 ms
Input impedance	<ul style="list-style-type: none"> Thermocouple, mV input: 1 MΩ or more Current input: 150 Ω or less (built-in diode) Voltage input: About 1 MΩ
Variation by signal source resistance	<ul style="list-style-type: none"> Thermocouple, mV input: ±0.3%FS ±1 digit per 100 Ω Voltage input: ±0.3%FS ±1 digit per 500 Ω
Allowable wiring resistance	<ul style="list-style-type: none"> RTD: 10 Ω MAX. (per wire)
Allowable input voltage:	<ul style="list-style-type: none"> DC voltage input: within ±35 V Current input: within ±25 mA Thermocouple, RTD, mV input: within ±5 V
Noise reduction ratio	Normal mode: 40 dB (50/60 Hz) Common mode: 120 dB (50/60 Hz) Between input and power supply: ±1°C at 220 V AC, 50/60 Hz
Input correction	<ul style="list-style-type: none"> (a) User adjustment: ±50%FS for each of zero and span point (b) Process value shift: ±10%FS (c) Input filter: 0.0 to 120.0 s (filter is off when set to 0.0) (d) Square root extraction: -0.1 to 105% (OFF if set to -0.1%)
Overrange - underrange	<ul style="list-style-type: none"> Out of the range between -5% and 105% FS (accuracy is not assured between -5 and 0, and between 100 and 105%FS) *except: Pt (-200°C to 850°C) input: } Out of the range between 0 to 10 V DC input: } -2% to 105% of FS Thermocouple E: Out of the range between -5 to 102% of FS

Remote SV input (option)

Number of inputs	1
Input signal	Voltage: 0 to 5 V DC/1 to 5 V DC/0 to 10 V DC Current: 0 to 20 mA DC/4 to 20 mA DC (an external resistance of 250 Ω is required for current input)
Input impedance	Approx. 1 MΩ
Sampling rate	50 ms

Current transformer (CT) input (option)

Input type	Single phase CT, 1 point For 1 A to 30 A: CTL-6-S-H For 20 A to 100 A: CTL-12-S36-8
Range of detected current	1 A to 100A
Detected current accuracy	Setpoint ±5%FS
Detected current resolution	0.1A
ON time necessary for detection	300 ms MIN.

Digital input (DI) (option)

No. of points	PXF5 and PXF9: up to 3 PXF4 standard version: 1 PXF4 motorized valve control version: 3
Specifications	No-voltage contact or transistor input
Contact capacity:	5 V DC, about 2 mA (per point)
Input judgment:	ON voltage: 2 V DC or lower OFF voltage: 3 V DC or higher
Sampling pulse width	50 ms MIN.
Functions	Remote mode selection, SV changeover, control standby, AT startup, timer startup, alarm unlatch, program selection, start/stop/reset, PID switching (normal/reverse), etc.

Valve position feedback signal (potentiometer) input (option)

Model	PXF5 and PXF9 (not available for PXF4)
Resistance range	100Ω to 2.5kΩ, three-wire
Resolution	0.5% FS
Accuracy	±1.0%FS
Temperature effect on sensitivity	±0.5%FS/10°C
Burnout function	None

Control output

No. of points	Up to 2 (2 points: Heating/cooling control)
Type	<p>Select among 1 to 6</p> <ol style="list-style-type: none"> Relay contact output (SPST) <ul style="list-style-type: none"> Proportional cycle: 1 to 150 s Contact structure: 1 SPST contact *SPST: single pole single throw Contact capacity: 250 V AC/30 V DC, 3A (resistive load) Minimum ON/OFF current: 10 mA (5 V DC) Mechanical life: 20 million operations MIN. (100 operations/min) Electrical life: 100,000 operations MIN. (rated load) Relay contact output (SPDT) <ul style="list-style-type: none"> Proportional cycle: 1 to 150 s Contact structure: 1 SPDT contact *SPDT: single pole double t row Contact capacity: 250 V AC/30 V DC, 5A (resistive load) Mechanical life: 50 million operations MIN. (100 operations/min) Electrical life: 100,000 operations MIN. (rated load) SSR drive output <ul style="list-style-type: none"> Proportional cycle: 1 to 150 s ON voltage: 12 V DC (between 10.7 and 13.2 V DC) OFF voltage: 0.5 V DC or lower Maximum current: 20 mA DC Load resistance: 600 Ω MIN. Current output (0 to 20 mA DC/4 to 20 mA DC) <ul style="list-style-type: none"> Accuracy: ±5%FS Load resistance: 500 Ω MAX. Voltage output (0 to 5 V DC/1 to 5 V DC/0 to 10 V DC/2 to 10 V DC) <ul style="list-style-type: none"> Accuracy: ±5%FS Load resistance: 10 kΩ MIN. Motorized valve control output <ul style="list-style-type: none"> Contact structure: 2 SPST contacts without interlock circuit *SPST: Single Pole Single Throw Contact capacity: 250 V AC/30 V DC, 3A (resistive load) Minimum ON/OFF current: 100 mA (24 V DC) Mechanical life: 20 million operations MIN. (100 operations/min) Electrical life: 100,000 operations MIN. (rated load)

Alarm output (DO) (option)

Number of outputs	Relay contact Shared COM: PXF5 & PXF9: ≤5, PXF4: ≤3 Independent COM: PXF5 & PXF9: ≤3, PXF4: ≤2
Output specifications	Relay contact output <ul style="list-style-type: none"> Contact structure: SPST *SPST: single pole single throw Contact capacity: 250 V AC/30 V DC, 1A (resistive load) Minimum ON/OFF current: 10 mA (5 V DC) Mechanical life: 20 million operations MIN. (100 operations/min) Electrical life: 100,000 operations MIN. (rated load)
Output functions	Alarm output (see *Alarm function*), main unit control mode output, program status output, control output 1 and 2, etc.
Output cycle	100 ms

Re-transmission output (option)

No. of points	1
Type	Current/voltage output (0 to 20 mA DC/4 to 20 mA DC/0 to 5 V DC/1 to 5 V DC/ 0 to 10 V DC/2 to 10 V DC) <ul style="list-style-type: none"> Guaranteed output range: 0 to 21 mA DC/0 to 10.5 V DC Accuracy: ±0.2%FS (±5%FS at 1 mA or smaller) Resolution: 10,000 MIN. Load resistance: 500 Ω MAX. (current), 10 kΩ MIN. (voltage)
Output cycle	100 ms
Output contents	PV, SV, DV, MV
Additional function	Scaling function

Display and keys

Type	LCD (with backlight)
Indication contents	Process value indication: 11-segment, 4-digit [white] Setpoint indication: 11-segment, 4-digit [green] Screen No. indication: 7-segment, 4-digit [orange] Status indication: 42 indicator lamps
Luminance setting	possible (4 steps)
Keys	Sheet type keys (with emboss), 5 keys

Control functions

ON/OFF control	Refer to page 4.
PID control	<ul style="list-style-type: none"> Dual control (heating/cooling) PID parameters determination: Auto tuning
Fuzzy PID control	<ul style="list-style-type: none"> Dual control (heating/cooling) PID parameters determination: Auto tuning
Self tuning control	Refer to page 5.
PID2 control	<ul style="list-style-type: none"> Dual control (heating/cooling) PID parameters determination: Auto tuning
2-degrees-of-freedom PID	<ul style="list-style-type: none"> PID parameters determination: Auto tuning
Position proportional PID (servo) with position feedback	<ul style="list-style-type: none"> Full stroke time: 30 seconds MIN. (not available for PXF4)

Control parameters

Proportional band (P)	0.1% to 999.9%
Integration time (I)	0 to 3200 s (invalidated when I = 0)
Differential time (D)	0.0 to 999.9 s (invalidated when D = 0)
Control cycle	100 to 900 ms (in 100 ms), 1 to 99 s (in seconds)
Anti-reset windup	0 to 100% of measurement range
Hysteresis band	50% of measurement range (at 2-position control only)
Number of SV and PID patterns	8: Changed by any of parameter setting, digital input, communication, user function keying, zone change.

Control mode

Mode	Auto/Manual/Remote *During 2-position control in Manual mode, 2-position manual operation with MV = 100% or 0% is operated.
Mode changeover:	<ul style="list-style-type: none"> Auto ↔ Manual: Balanceless · bumpless Auto/Manual → Remote: Balance · bumpless Auto/Manual ← Remote: Balance · bumpless

Alarm

Number of alarm	Up to 5 (depends on the number of DO)
Alarm type	Process value (upper limit/lower limit, absolute/deviation, range), main unit error, etc.(non-excitation, delay, latch, timer function option provided)
Heater current alarm function (option)	Current transformer (CT) is to be prepared separately (see page 9.)
Detectable range	1 A to 100 A
Detected current resolution	0.1A
Setting resolution	0.1A
Hysteresis	0.0 to 100.0 A

RS-485 communication (option)

No. of points	1 point
Physical specifications	EIA-485
Protocol	Modbus-RTU
Communication method	Half-duplex bit serial, asynchronous communication
Code type	Data length: 8 data bits. Parity: Odd, even, none.
Baud rate	9600 bps, 19200 bps, 38.4 kbps, 115.2 kbps
Connection	Up to 32 units
Communication distance	Up to 500 m (total connection length)
Additional function	<ul style="list-style-type: none"> Multidrop master function The function in which slave devices can be operated by a master device by connecting several temperature controllers. Programless communication The function in which a temperature controller can be connected to a PLC without program. Supported PLCs: Mitsubishi PLC Q series Siemens PLC S7 series

Operation and storage conditions

Operating temperature	-10°C to 50°C
Storage temperature	-20°C to 60°C
Operating/storage humidity	90%RH or less (Non condensation)
Warm-up time	30 min MIN.
Vibration	during transportation: 9.8 m/s ² (1 G) or less
Impact	during transportation: 294m/s ² (30 G) or less

Enclosure

Installation	Panel mount
External terminals	Screw terminals, M3
Case	<ul style="list-style-type: none"> Material: ABS, PPO Non-combustibility grade: UL94V-0 equivalent Color: Black
Protection structure	<ul style="list-style-type: none"> Panel front side: IP66, NEMA-4X equivalent (When the panel is mounted using our genuine packing. Not water-proof if mounted closely together.) Body: IP20 equivalent (slits on top and bottom) Terminals: IP00 equivalent. Terminal cover can be mounted optionally.
Dimensions	Refer to page 10.
Weight	PXF4: approx. 100 g, PXF5: approx. 170 g, PXF9: approx. 220 g

Customizable function and Program (ramp/soak) function

Number of program steps:	64 steps × 1 pattern, 32 steps × 2 patterns, 16 steps × 4 patterns, or 8 steps × 8 patterns (1 step = 2 segments)
Control option	Control by digital input Status output by digital output
Basic functions	<ol style="list-style-type: none"> Segment time can be set in "Hour, Minutes" or "Minutes, Seconds" Guarantee soak Repeat action PV start Delay start Power restoring function
Memory backup	EEPROM

User key

Assignable functions	Auto/Manual change, Standby ON/OFF change, remote SV change, ramp/soak change, etc.
----------------------	---

Password function

3-level password

Simple watt-hour metering function and operating days alarm

Simple watt-hour metering function	<ul style="list-style-type: none"> By connecting a current transformer (to be prepared separately), electric power consumption of the heater can be displayed. (Electric power is calculated based on the fixed voltage value you set.) Current transformer (CT) is to be prepared separately (see page 10.) Current detection range: 1 A to 100 A
Operating days alarm	<ul style="list-style-type: none"> Indicates the number of days the controller has been operated and activates alarm output (optional) when it exceeds the setpoint. Useful for preventive maintenance because it let you know the appropriate time for maintenance work.

Data backup at power outage

Storage device	Non-volatile memory
----------------	---------------------

Self-diagnosis

Type	Program error supervision by watchdog timer
------	---

Table 1 Input type and range

Input type	Code (PvT)	Measurement range [°C]	Minimum input increment [°C]	
RTD	Pt 100	PT1	0.0 to 150.0	0.1
		PT2	0.0 to 300.0	0.1
		PT3	0.0 to 500.0	0.1
		PT4	0.0 to 600.0	0.1
		PT5	-50.0 to 100.0	0.1
		PT6	-100.0 to 200.0	0.1
		PT7	-199.9 to 600.0	0.1
		PT8	-200 to 850	1
DC voltage	0 to 5 V DC	0-5V	-1999 to 9999 (Range where scaling is allowed)	-
	1 to 5 V DC	1-5V		
	0 to 10V DC	0-10		
	2 to 10V DC	2-10		
DC current	0 to 20 mA DC	MV		
	4 to 20 mA DC	0-20		

Input type	Code (PvT)	Measurement range [°C]	Minimum input increment [°C]	
Thermocouple	J	J1	0.0 to 400.0	0.1
		J2	-20.0 to 400.0	0.1
		J3	0.0 to 800.0	0.1
		J4	-100 to 1000	1
	K	K1	0 to 400	0.1
		K2	-20.0 to 500.0	0.1
		K3	0.0 to 800.0	0.1
		K4	-200 to 1300	1
	R	R	0 to 1700	1
	B	B	0 to 1800	1
	S	S	0 to 1700	1
	T	T1	-199.9 to 200.0	0.1
		T2	-199.9 to 400.0	0.1
	E	E1	0.0 to 800.0	0.1
		E2	-150.0 to 800.0	0.1
		E3	-200 to 800	1
L	L	-100 to 850	1	
U	U1	-199.9 to 400.0	0.1	
	U2	-200 to 400	1	
N	N	-200 to 1300	1	
W	W	0 to 2300	1	
PL-II	PL-2	0 to 1300	1	

Ordering Code

4 5 6 7 8 9 10 11 12 13
P X F 4 **U 2** - **Y 0 0**

Standard type PXF4 Socket (48 x 48 mm)

Digit	Specifications	Note
1-4	Front panel size W×H	
	48×48 mm	PXF4
5	Input signal	
	Universal input Universal input (PXW/PXZ/PXV)	A N
6	Control output	
	Relay contact (SPDT)	B
	SSR drive output Current output	C E
7	Terminal form	
	Socket type	U
8	Revision code	2
	Alarm output	
9	None	4
	2 points	G
10	Power supply voltage	
	100 to 240 V AC	V
	24 V AC/DC	B
11	-	Y00
12		
13		

PXF4 Socket (48 x 48 mm) Order Items

			Item	Q'ty	Ordering code
4th code	4	No alarm	PC loader communication cable	1	ZZP*TO501923C3
			8-pin socket for DIN rail mounting (TP48X)	1	ZZP*PXF2-C100
			8-pin socket for panel mounting (TP48SB)	1	ZZP*PXF2-C101
	G	Two alarms	11-pin socket for DIN rail mounting (TP411X)	1	ZZP*PXF2-C102
			11-pin socket for panel mounting (TP411SBA)	1	ZZP*PXF2-C103

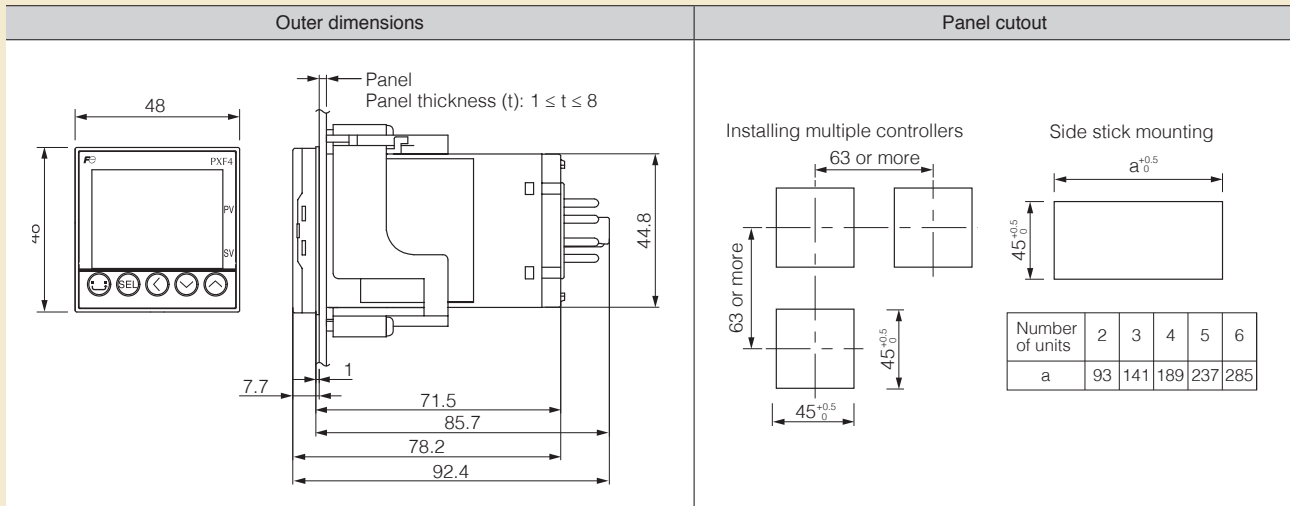
Scope of delivery

- Controller x 1
- Panel mounting frame x 1
- Watertight packing x 1
- Instruction manual x 1

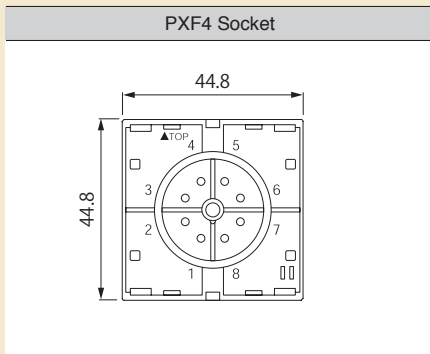
Outline Diagram

PXF4 Socket

(unit : mm)



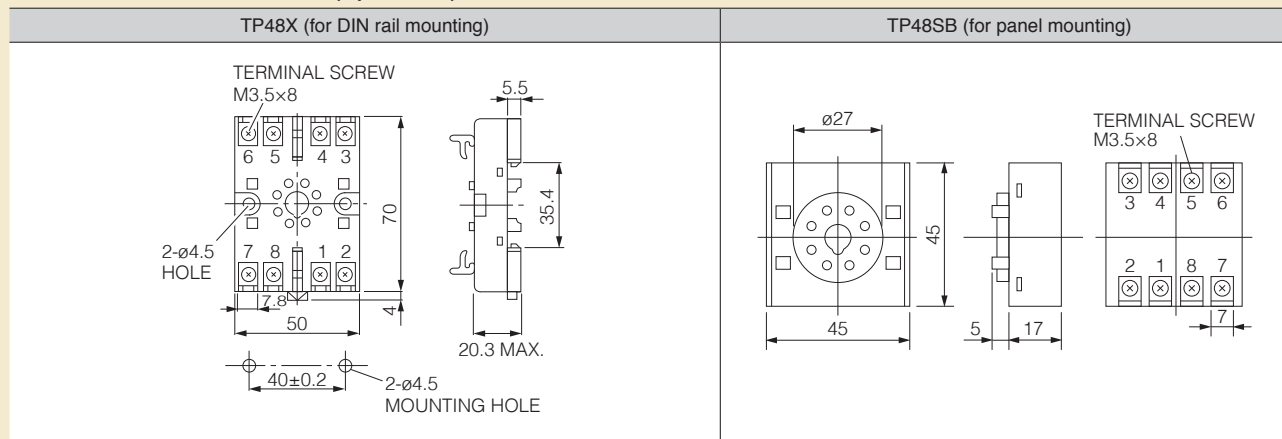
Rear view



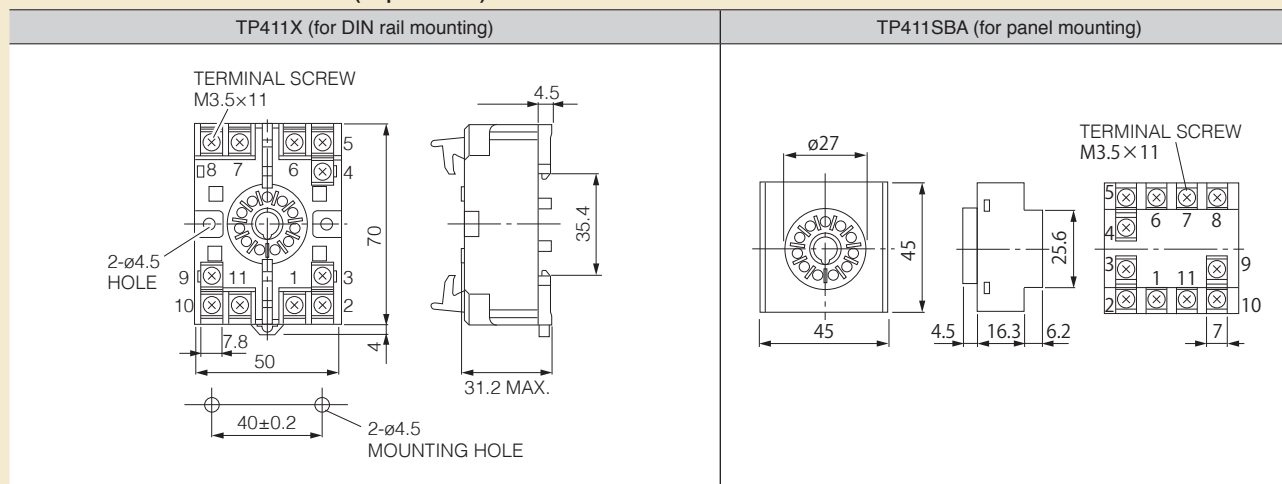
Socket Outline Diagram

For the versions that have no alarm (8-pin socket)

(Unit : mm)



For the versions that have two alarms (11-pin socket)



Insulation Block Diagram

PXF4 Socket

Power supply (100 to 240 V AC)	Internal circuit
Control output 1 (relay contact)	Process value input
Alarm output 1 and 2 (relay contact)	Control output 1 (SSR drive, current, voltage)
Power supply (24 V DC/AC)	Internal circuit
Control output 1 (relay contact)	Process value input
Alarm output 1 and 2 (relay contact)	Control output 1 (SSR drive, current, voltage)

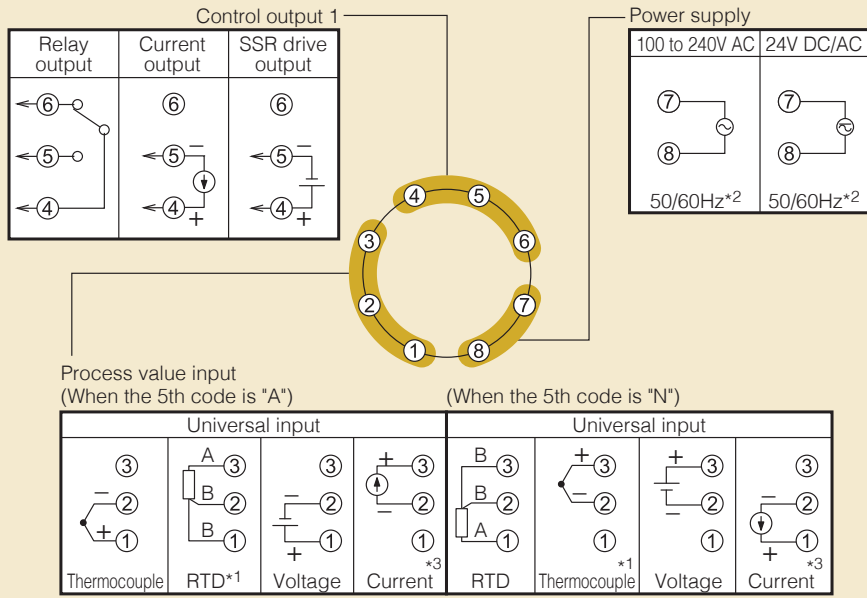
——— Basic insulation (1500 V AC)
 ——— Functional insulation (500 V AC)
 - - - - - No insulation

Table 2 Input type and range

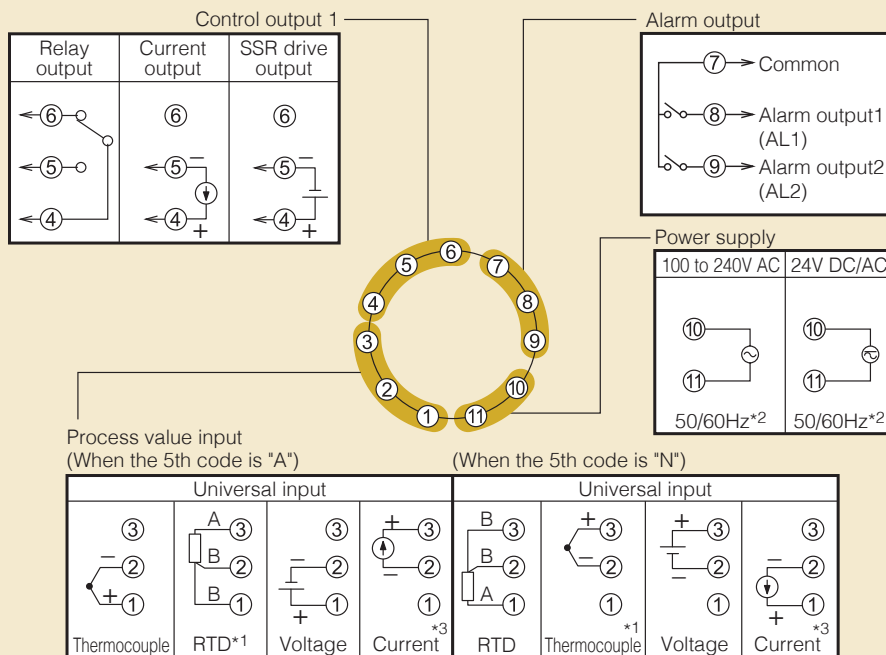
	Input type	Measurement range [°C]	Minimum input increment [°C]
RTD	JPt100	-199.9 to 600.0	150
	Pt100	-200 to 850	150
Thermocouple	J	-100 to 1000	400
	K	-200 to 1300	400
	R	0 to 1700	1700
	B	0 to 1800	1800
	S	0 to 1700	1700
	T	-199.9 to 400.0	399.9
	E	-200 to 800	800
	L	-100 to 850	950
	N	-200 to 1300	1500
	PL-II	0 to 1300	1300
DC voltage	DC 0-5V	-1999 to 9999 (Scaling range)	—
	DC 1-5V		
	DC 0-10V		
	DC 2-10V		
	DC 0-100mV		
DC current	DC 0-20mA		
	DC 4-20mA		

Connection Diagram

For the versions that have no alarm (8-pin socket)



For the versions that have two alarms (11-pin socket)



*1: The terminal layout differs from that of PXW4/PXZ4/PXV4.

*2: Check the power supply voltage before installation.

*3: Terminal allocation is different from PXR4. A 250Ω shunt resistor is not required.

Specifications

General specifications

Power supply	100 V (-15%) to 240 V (+10%) AC, 50/60 Hz; 24 V ($\pm 10\%$) DC/AC
Power consumption	10 VA MAX. 100 to 240 V AC 5 VA MAX. 24 V DC/AC
Insulation resistance	20 M Ω or more (at 500 V DC)
Withstand voltage	Power source \leftrightarrow all terminals: 1500 V AC for 1 min Relay contact output \leftrightarrow all terminals: 1500 V AC for 1 min Between others 500 V AC for 1 min

Process value input

Number of input	1
Input setting	Programmable scale
Input signal	See Table 2 (Universal input: thermocouple, RTD, voltage, current)
Standard measurement range and input type	See Table 2
Indication accuracy (at Ta = 23°C)	<ul style="list-style-type: none"> Thermocouple input: $\pm 0.5\%$FS ± 1 digit $\pm 1^\circ\text{C}$ Exceptions: <ul style="list-style-type: none"> Thermocouple B: 0 to 400°C: no accuracy assurance Thermocouple R: 0 to 500°C: $\pm 1\%$FS ± 1 digit $\pm 1^\circ\text{C}$ Thermocouples: -200 to -100°C: $\pm 2^\circ\text{C}$ ± 1 digit RTD input: $\pm 0.8^\circ\text{C}$ ± 1 digit or $\pm 0.2\%$ ± 1 digit of indicated value, whichever is larger mV input, voltage input, current input: $\pm 0.3\%$FS ± 1 digit *Note that the sensor should be sufficiently warmed up to secure the accuracy
Temperature effect on sensitivity	$\pm 0.3\%$ FS/ 10°C
Indication resolution	See Table 2
Input sampling rate	50ms
Input impedance	<ul style="list-style-type: none"> Thermocouple, mV input: 1 MΩ or more Current input: 150 Ω or less (built-in diode) Voltage input: About 1 MΩ
Variation by signal source resistance	<ul style="list-style-type: none"> Thermocouple, mV input: $\pm 0.3\%$FS ± 1 digit per 100 Ω Voltage input: $\pm 0.3\%$FS ± 1 digit per 500 Ω
Allowable wiring resistance	RTD: 10 Ω or less (per wire)
Allowable input voltage	<ul style="list-style-type: none"> DC voltage input: within ± 35 V Current input: within ± 25 mA Thermocouple, RTD, mV input: within ± 5 V
Noise reduction ratio	<ul style="list-style-type: none"> Normal mode: 40 dB (50/60 Hz) Common mode: 120 dB (50/60 Hz) Between input and power supply: $\pm 1^\circ\text{C}$ at 220 V AC, 50/60 Hz
Input correction	(a) User adjustment: $\pm 50\%$ FS for each of zero and span point (b) Process value shift: $\pm 10\%$ FS (c) Input filter: 0.0 to 120.0 s (filter OFF if set at 0.0) (d) Square root extraction: -0.1 to 105% (OFF if set to -0.1%)
Overrange, underrange	Out of the range between -5% and 105% FS (accuracy not guaranteed between -5 and 0, and between 100 and 105% FS) *Exceptions: <ul style="list-style-type: none"> JPt, Pt, 0-10 V DC: out of the range between -2% and 105% FS Thermocouple E: out of the range between -5% and 102% FS

Control output

Number of points	1
Type selected among (1) to (3) below	(1) Relay contact output (SPDT) <ul style="list-style-type: none"> Proportional cycle: 1 to 150 seconds Contact structure: SPDT (single pole double throw) Contact capacity: 250 V AC/30 V DC, 5 A (resistive load) Mechanical life: 50 million operations MIN. (100 operations/min) Electrical life: 100,000 operations MIN. (rated load) (2) SSR drive output <ul style="list-style-type: none"> Proportional cycle: 1 to 150 s ON voltage: 12 V DC (between 10.7 and 13.2V DC) OFF voltage: 0.5 V DC or lower Maximum current: 20 mA DC Load resistance: 600 Ω MIN. (3) Current output (4 to 20 mA DC) <ul style="list-style-type: none"> Accuracy: $\pm 5\%$FS Load resistance: 500 Ω MAX.

Alam output (option)

Number of outputs	Relay contact output Up to 2
Output specifications	Relay contact output Contact structure: SPST (single pole single throw) Contact capacity: 250 V AC/30 V DC, 1 A (resistive load) Minimum ON/OFF current: 10 mA (5 V DC) Mechanical life: 20 million operations MIN. (100 operations/min) Electrical life: 100,000 operations MIN. (rated load)
Alarm kind	Absolute alarm, deviation alarm, zone alarm, upper and lower limit, and hold function available for each kind of alarms. Alarm latch, Excitation/non-excitation selecting function provided.
Output cycle	100 ms

Display and keys

Type	LCD (with backlight)
Indication contents	Process value indication: 11-segment, 4-digit [white] Setpoint indication: 11-segment, 4-digit [green] Screen No. indication: 7-segment, 3-digit [orange] Status indication: 23 indicator lamps
Keys	Five embossed keys, 5keys

Control functions

ON/OFF control	see page 4
PID control	PID parameters determination: Auto tuning
Fuzzy PID control	PID parameters determination: Auto tuning
Self tuning control	see page 5
PID2 control	PID parameters determination: Auto tuning

Control parameters

Proportional band (P)	0.0-999.9% (On/off control when P=0)
Integral time (I)	0 to 3200 s Integral time control invalidated when I = 0.
Differential time (D)	0.0 to 999.9 s Differential time control invalidated when D = 0.
Control cycle	100 to 900 ms (in 100 ms), 1 to 99 s (in s)
Anti-reset windup	0 to 100% of measurement range
Hysteresis band	50% of measurement range (available only during the on/off control)

Control mode

Mode type	Auto, Manual *In the manual mode on/off control, available MVs are 100% and 0%.
Mode switching	Auto \leftrightarrow Manual: Balanceless/bumpless

Operation and storage conditions

Operating ambient temperature	-10 to 50°C
Storage temperature	-20 to 60°C
Operating/storage ambient humidity	90%RH MAX. (no condensation)
Warm-up time	30 min MIN
Vibration	During transportation 9.8 m/s ² (1G) or less
Impact	During transportation: 294 m/s ² (30G) or less

Enclosure

Mounting method	Panel flush mounting, DIN rail mounting (DIN rail mounting requires the dedicated socket.)
External terminals	8-pin or 11-pin socket, M3.5 screw terminals *The socket is a separate order item.
Case	<ul style="list-style-type: none"> Material: ABS, PPO Flammability: equivalent to UL94V-0 Color: Black
Protection structure	<ul style="list-style-type: none"> Panel front side: equivalent to IP66 and NEMA 4X (When the panel is mounted using our genuine packing. Not water-proof if mounted closely together.) Body (slits on top and bottom): equivalent to IP20
Dimensions	48 (W) x 48 (H) x 85.7 (D) mm
Weight	Approx. 200g

Customizable function

Parameter mask function	You can switch between show/hide of parameters.
Program (ramp/soak) function	<ul style="list-style-type: none"> Number of program patterns: 1 or 2 8 ramps and 8 soaks in total
User key	You can assign the following functions to the user key: auto/manual switching, standby on/off, etc.

Data backup at power failure

Storage device	Non-volatile memory
----------------	---------------------

Self-diagnosis

Type	Program error supervision by watchdog timer
------	---

Please read the following instructions carefully before operating the Digital Temperature Controller



Over-Temperature Protection

Any control system design should take into account that any part of the system has the potential to fail.

For temperature control systems, continued heating should be considered the most dangerous condition, and the machine should be designed to automatically stop heating if unregulated due to the failure of the control unit or for any other reason.

The following are the most likely causes of unwanted continued heating:

- 1) Controller failure with heating output constantly on
- 2) Disengagement of the temperature sensor from the system
- 3) A short circuit in the thermocouple wiring
- 4) A valve or switch contact point outside the system is locked to keep the heat switched on.

In any application where physical injury or destruction of equipment might occur, we recommend the installation of independent safety equipment, with a separate temperature sensor, to disable the heating circuit in case of overheating.

The controller alarm signal is not designed to function as a protective measure in case of controller failure.

Information in this catalog is subject to change without notice.
Read the instruction manuals thoroughly before using the products.

 Fuji Electric Co., Ltd.

Gate City Ohsaki, East Tower, 11-2, Osaki 1-chome, Shinagawa-ku, Tokyo 141-0032, Japan
Phone: +81-3-5435-7111
www.fujielectric.com
www.fujielectric.com/products/instruments/